

## ORIGA RODLESS CYLINDERS AT WORK

### Problem

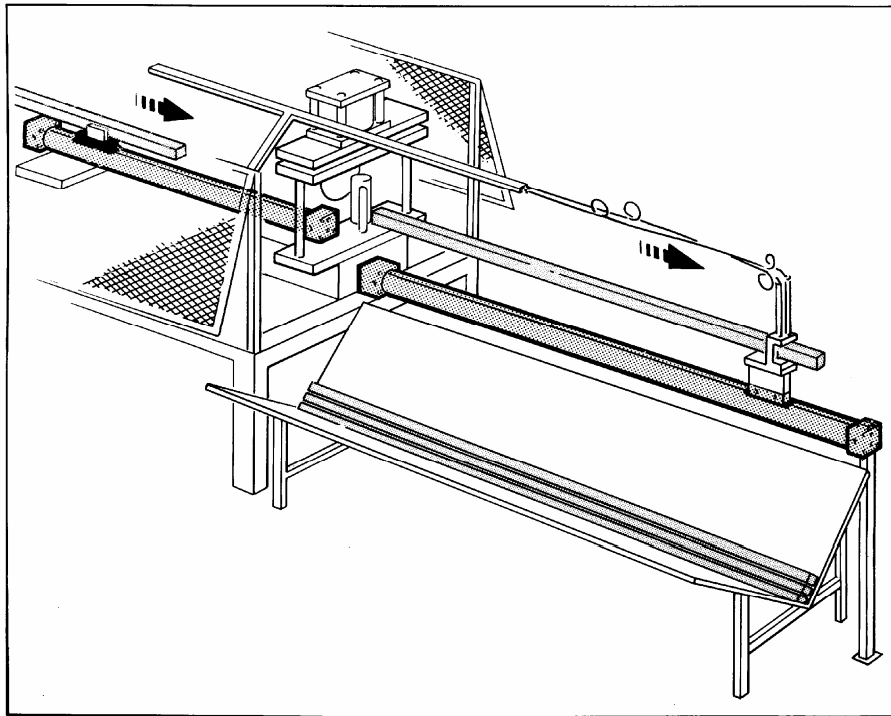
A company manufacturing aluminium door and window frames needed to increase productivity by semi-automating the labour intensive completion process on part-finished extrusions.

### Solution

Utilising two Origa Rodless Cylinders, one to feed the extrusions through the finishing machine, the other to transfer the finished frame from the die to a storage cart provided this company with an efficient remedy to their problem. The inherent rigidity and self-guidance properties of robust Origa cylinders proved ideal for this application.

### Results

Origa Rodless Cylinders provided this company with a 300 percent increase in employee production efficiency rates. The company now design similar machines for other manufacturers of aluminium frames and incorporate Origa cylinders as standard.



**Adelaide Pneumatic Sales Pty Ltd**

Telephone (08) 8383 7177 • Facsimile (08) 8383 7285

[pneumatic@senet.com.au](mailto:pneumatic@senet.com.au)