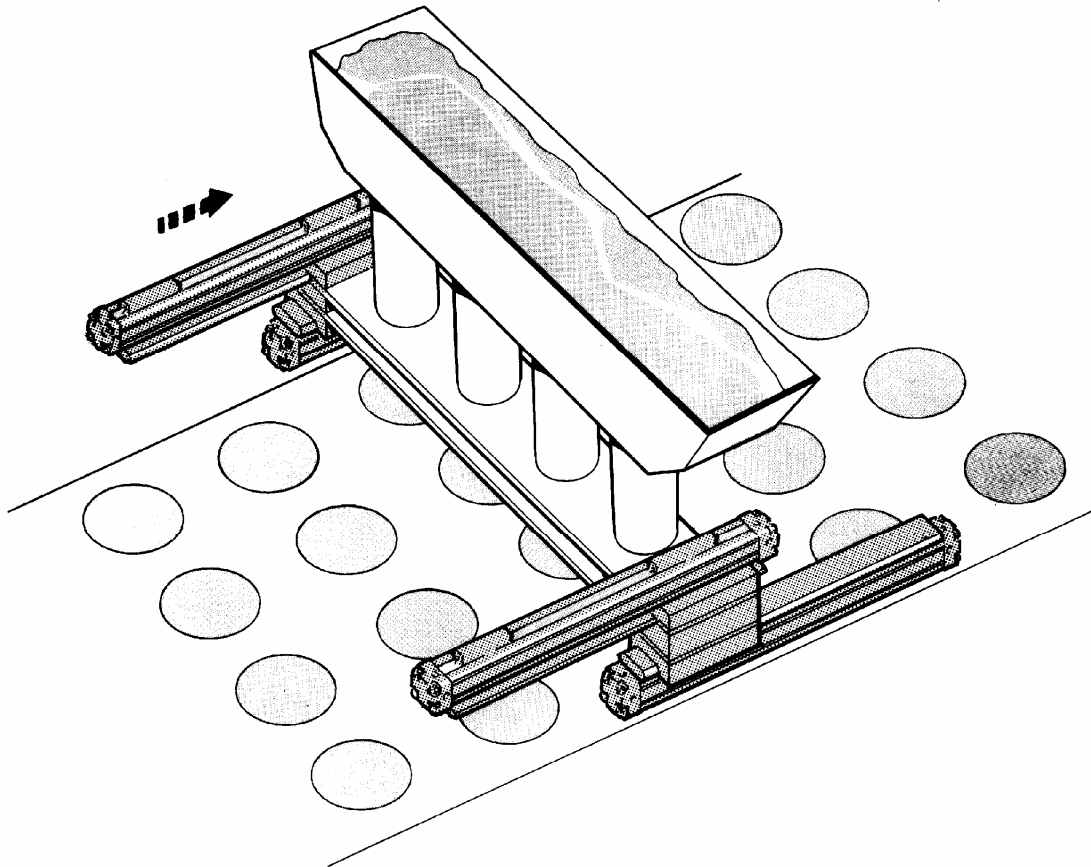


## ORIGA RODLESS CYLINDERS AT WORK



### **Problem**

A baking company needed a system to deliver a measured amount of mixture onto the product which was passing on a conveyor.

### **Solution**

Two Origa P230 guided cylinders were mounted either side of the conveyor to provide the required movement. A hopper which contained the mixture was mounted on a bridge between the Origa cylinders.

### **Results**

- Met all hygiene requirements
- Low maintenance
- Low engineering content
- Self guiding.

**Adelaide Pneumatic Sales Pty Ltd**

Telephone (08) 8383 7177 ● Facsimile (08) 8383 7285  
pneumatic@senet.com.au