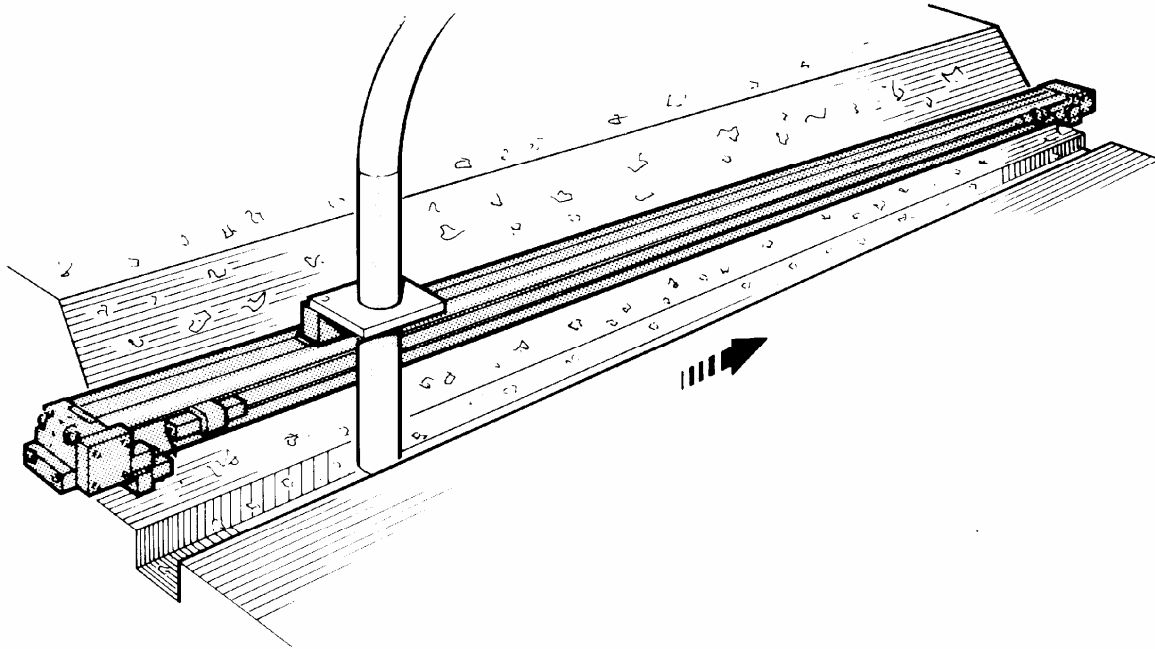


ORIGA RODLESS CYLINDERS AT WORK



Problem

A textile company suffered loss of production because of downtime required for manual removal of fleece debris (burr) from the finishing face of a wool carding machine. This task had to be automated, but space constraints and expense precluded the use of conventional rodded cylinders or chain driven actuators.

Solution

A vacuum head, attached to the piston yoke of a 25mm diameter, 3000mm stroke Origa Rodless Cylinder automatically sweeps the trough that collects the burr without interrupting the process. Origa cylinders are self guiding, inherently rigid and bi-directional in operation, making them ideal for this application.

Results

Origa Rodless Cylinders have enabled this company to automate a costly and labour intensive task. Downtime has been drastically reduced and the machine operates with repeated reliability resulting in increased productivity.