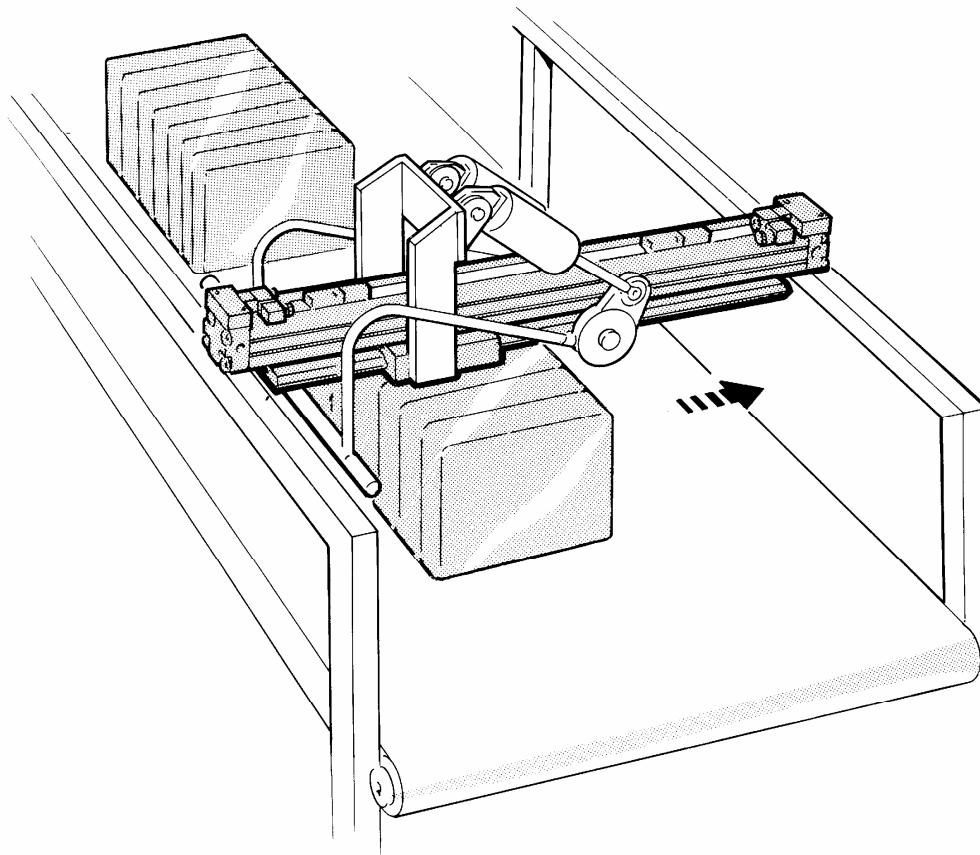


## ORIGA RODLESS CYLINDERS AT WORK



### **Problem**

A major manufacturer of nappies needed to move the product in their packaging department. The individual nappies had to be moved across a conveyor to a bagging station.

### **Solution**

An Origa P230 rodless guided cylinder was used in conjunction with rodded cylinders attached to the yoke. An arm was connected to a pivot which enabled it to move out of the path of the conveyor. The operation was controlled by control valves and proximity sensors.

### **Results**

- Low maintenance requirements
- Simple engineering
- Self guiding, inherently rigid.