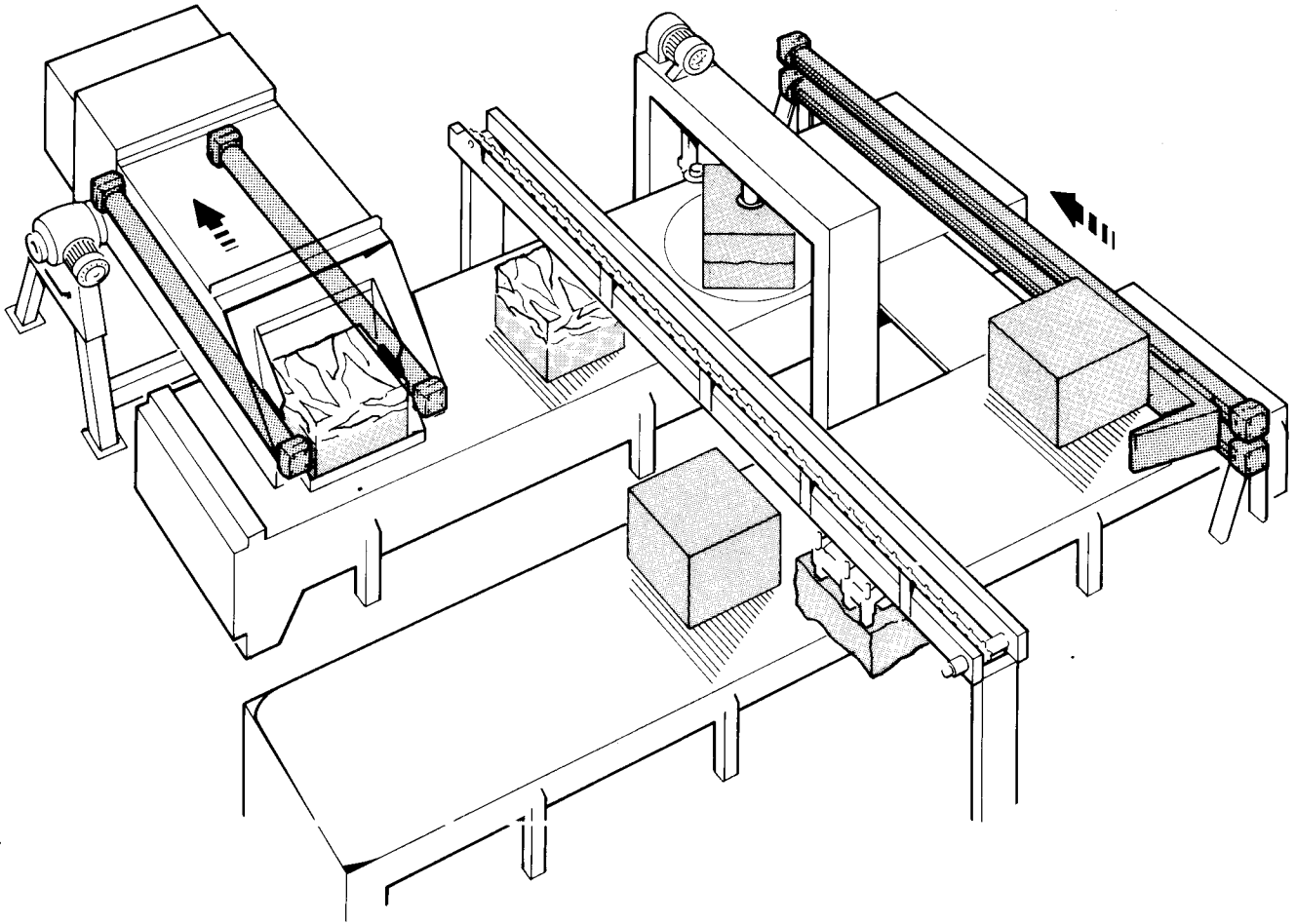


ORIGA RODLESS CYLINDERS AT WORK



Problem

A company manufacturing automatic hessian removal machines for tobacco bales had two problems 1) how to transfer the bales of tobacco between conveyors in a limited space and 2) to traverse the bales with a turnover unit.

Solution

Two sets of 40mm diameter cylinders working in parallel were used between the conveyors and the turnover unit. The inherently rigid, self guiding cylinders fit neatly into the frame work providing a gentle, smooth movement of the bales.

Results

- 50% increase in efficiency and production
- Low maintenance
- Automatic control
- 100% labour saving
- Space saving.



ORIGA