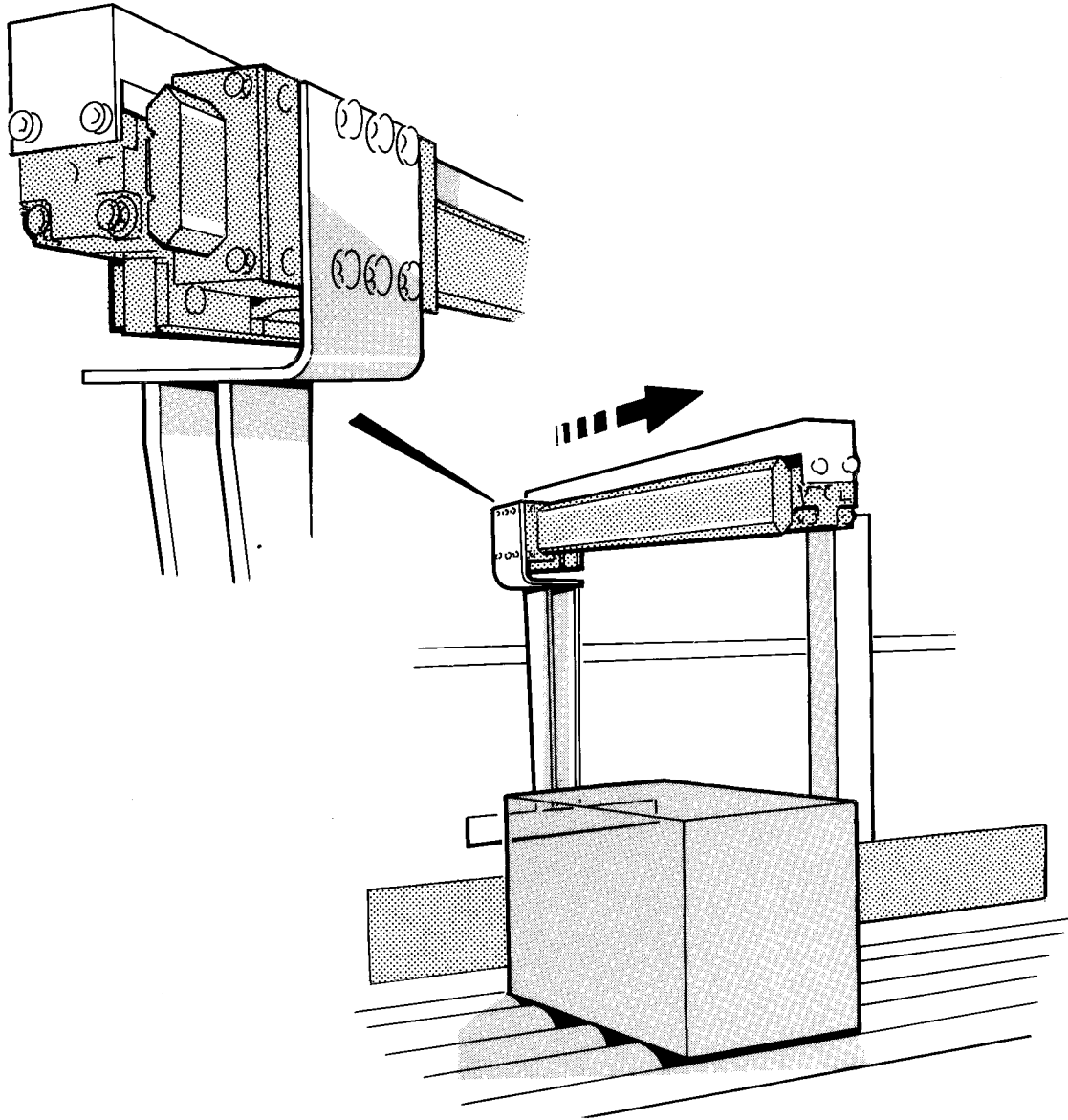


ORIGA RODLESS CYLINDERS AT WORK



Problem

A major distributor of electrical components required a handling system to divert boxes of product from one conveyor to another positioned at 90°.

Solution

An Origa P230-25 rodless cylinder was used with a right angled transfer arm attached to the yoke.

Results

- Increased efficiency and reliability
- Self guiding and rigid
- Compact.



ORIGA