

# ORIGA RODLESS

## CYLINDERS AT WORK

### Problem

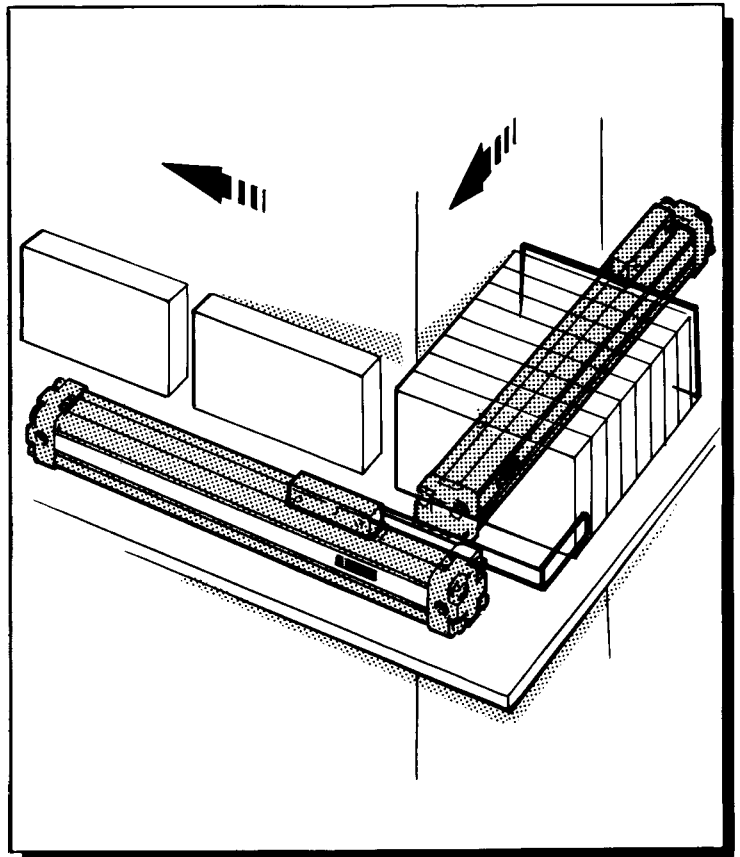
A company producing video tapes required a fully automatic machine to wind tapes onto cassettes. Design engineers, working to demanding specifications, faced the particular problem of discharging cassettes from a loaded magazine and transferring them into a winding machine.

### Solution

To overcome this problem the company decided to use two 25mm Dia Origa Rodless Cylinders. One was used to feed cassettes to the front of the magazine. A second Origa cylinder then transferred the cassette to the winding machine. Alternative options were considered but Origa Rodless Cylinders provided the simplest and most effective solution to the problem.

### Results

Origa Cylinders provided inherent rigidity which eliminated the need for additional guidance mechanisms in this fully automated system. This also presented the company with obvious space saving benefits.



# ORIGA