

ORIGA RODLESS CYLINDERS AT WORK

Problem

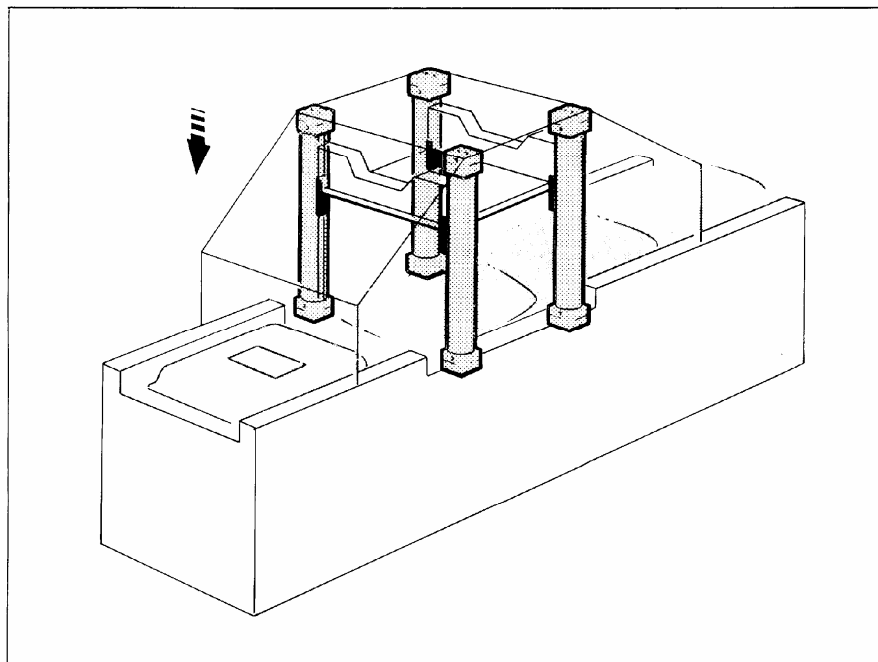
A machine designed to compress duvets and pillows prior to packing encountered customer resistance owing to its complicated and bulky appearance. The original design incorporated conventional long stroke cylinders comprising complex guidance and support mechanisms to power the press used to expel air from the products.

Solution

The design company decided to attach the die of a platen press to the piston yokes of four 63mm diameter x 500mm stroke Origa Rodless Cylinders controlled to work in unison. Self guidance features of Origa cylinders whose stroke length is marginally less than their overall length greatly reduced the bulk and complexity of the machines.

Results

Using Origa Rodless Cylinders enabled the company to produce machines of sleek design and pleasing line and appeal. Additionally, operating costs were reduced due to improved reliability and virtual maintenance free operation of Origa cylinders.



Adelaide Pneumatic Sales Pty Ltd

Telephone (08) 8383 7177 • Facsimile (08) 8383 7285
pneumatic@senet.com.au