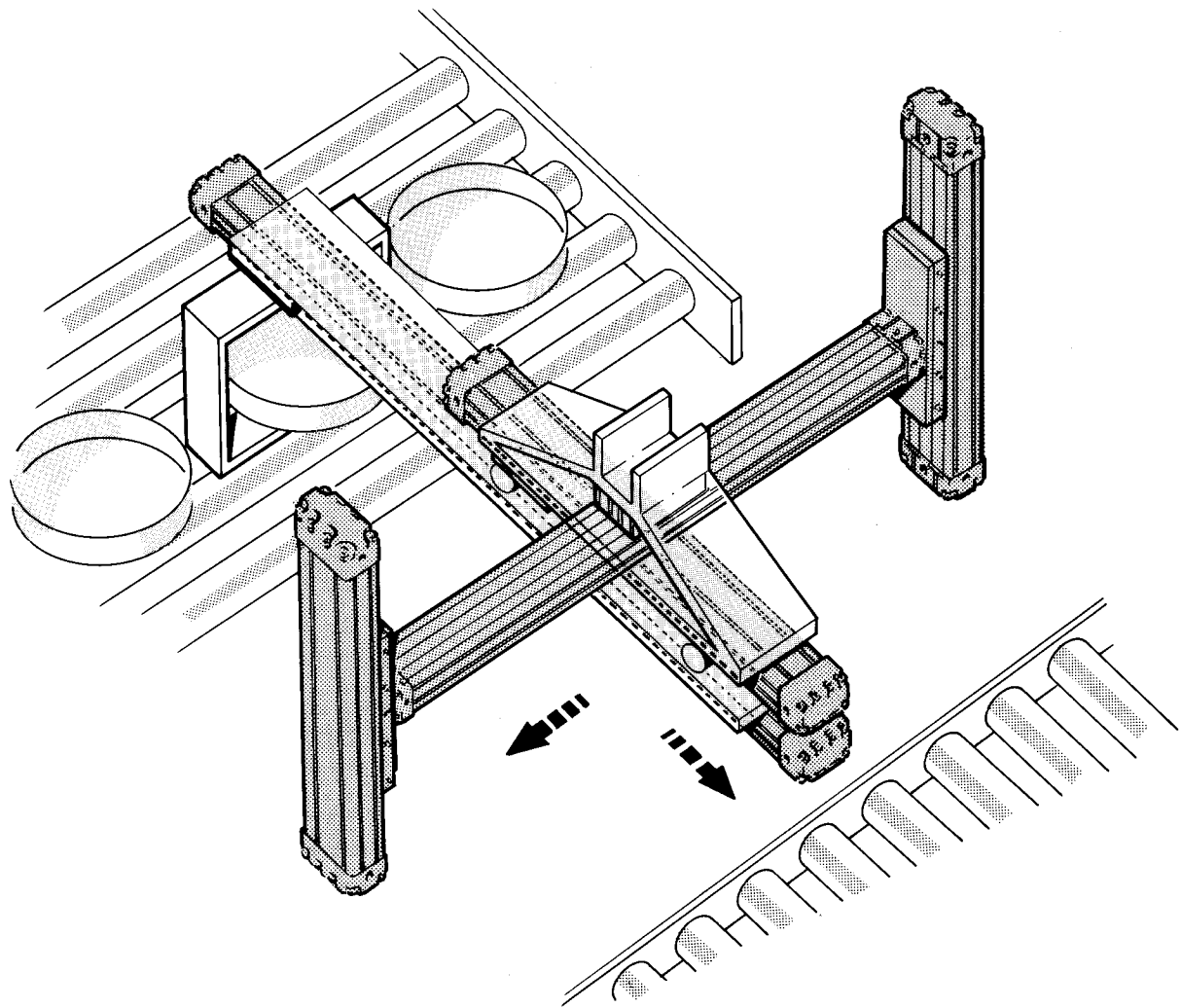


# ORIGA RODLESS CYLINDERS AT WORK



## Problem

A manufacturer of large ceramic electrical insulators needed to remove product from an industrial dryer and place it on conveyor belt.

## Solution

Five Origa P220 rodless cylinders were used as a telescopic pick and place system. Due to the large stroke required, twin piston assemblies were utilised.

## Results

- Eliminated manual task
- Simple, cost effective
- Inherently rigid, self guiding.



# ORIGA